

Combination of Gas and Shock Impact Detectors

PE-KAYO Series specially designed for the Oil&Gas stations as it has multiple functions. The detector has a special accelerometer chip inside to monitor physical bumps happening on the location where the device installed along with gas measurement functions. It can generate an alarm to cut the gas and oil flow if car or truck hits the detector or the mounted shaft.

Trustworthy Certification

PROSENSE "PE-KAYO" Series fixed gas detectors are certified with ATEX/IECEX.

Ex-proof Safety

The continuous measurement of explosive gases is done safely in hazardous areas thanks to the ex-proof housing.

Cost-Effective Solutions

"PE-KAYO" Series offers cost-effective solutions in Oil&Gas industry.

Robust and Durable

"PE-KAYO" performs perfectly under the harsh environmental conditions with the IP65 protection class.

Accurate Readings

Long-lasting Catalytic sensors undoubtedly provide an accurate and sensitive gas detection.

Universal Outputs

4-20mA Analog, Modbus RS485 RTU, Relay and Voltage outputs are simple to operate efficiently and universally.

Quick Response Time

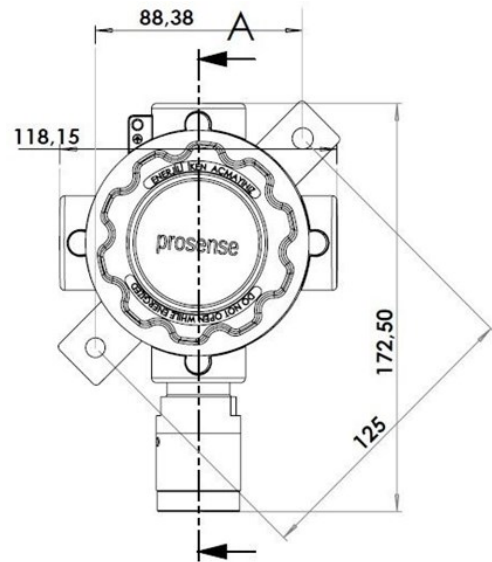
Catalytic sensor in PE-KAYO offers quick response time for detecting combustible gases.

Durable Sensor

PE-KAYO Series uses a special Catalytic sensor which has a long life-time.

Fall-Safe Technology Alarming

Alarm 1 and Alarm 2 relays are easy to set to default LEL levels. The fault relay output properly indicates fault status.



Applications

- LNG/LPG
- Oil&Gas
- Gas Distribution Stations

Optional Modules

- P-3R+: 2 Alarms and 1 Fault (NO/NC adjustable) relay output card.

Specifications	P-XY12PEK
Sensing Element	Catalytic
Motion Sensor	3 axis (3D accelerometer)
Output Signal	4-20mA Analog Modbus RS485 RTU
Sensor Warm-up Time	60sec
Response Time (T90)	<15sec
Accuracy	%±1
Operating Temperature	-40°C ~ +70°C
Humidity	5 ~ 95%RH Non-Condensing
Input	Min 10VDC - Max 32VDC - Nominal 24VDC
Power Consumption	Max.4W
Optional Relay Outputs	2 Alarms (Selectable) and 1 Fault (All relays are NO/NC adjustable)
Cable Entry	1/2"NPT
IP Rating	IP65
Junction Box	Epoxy Painted Die-Cast Aluminium
Sensor Head	Nickel-Plated Brass
Dimensions/Weight	172,5x118,15x88mm / 1150gr
ATEX Marking	II 2G Ex db IIC T5 Gb
Hazardous Class	Zone 1 - Zone 2
Certificates	<ul style="list-style-type: none"> •IMQ 19 ATEX 045 X •IECEx IMQ 18.0009X
Standards	<ul style="list-style-type: none"> •IEC EN 60079-0 •IEC EN 60079-1

XY	Gas	Product Code	Sensor Type	Measuring Range
30	LPG	P-3012PEK	Catalytic	0-100%LEL
31	Methane	P-3112PEK	Catalytic	0-100%LEL
32	Petrol Vapour	P-3212PEK	Catalytic	0-100%LEL
33	n-Butane	P-3312PEK	Catalytic	0-100%LEL
34	Propane	P-3412PEK	Catalytic	0-100%LEL

Prosense gas detectors are fully tested and calibrated before delivery. Gas detectors must always be routinely controlled and calibrated regarding EN 60079-29-2.